



**CROSS**  
AGRICULTURAL ENGINEERING

# Cross Split Chaser Bin / Drill Filler

Capacity of 46 Cubic Meters



Cross Agricultural Machinery – It's the Obvious Choice

# Cross Chaser Bin / Drill Filler

Capacity of 46 cubic Meters



The Cross Chaser Bin range is built to the highest standards by a team of dedicated engineers using quality materials and manufactured in the latest high-tech manufacturing facilities. Our Chaser Bins can deliver class leading levels of performance, quality and reliability to exceed the expectations of the most demanding users. With over 30 years' experience in the grain industry, Cross Agricultural Engineering are market leaders when it comes to grain handling machinery

## Cross Split Chaser Bin

The Cross Agricultural Engineering split Chaser Bin is one of a kind. There is no other bin of its type to match it. The bin has two separate hopper compartments. These two compartments turn this bin from a standard 3 month harvest bin to an 8 month harvest and sowing bin. During the harvest the bin is used as one large chaser bin. The Combine harvester fills into the 2 compartments and the bin holds a max of 34 Tonnes (30 tonnes water level). When emptying, the twin auger system can ensure the bin empties in a total of 3 minutes.

During the sowing season the Chaser bin can then be used as a seed and fertilizer cart. The split bin lets you fill one compartment with seed and a slightly larger compartment with fertilizer. The augers are then fitted with filling tubes which let you fill into your drill easy with no spill.

During the harvest the Chaser Bin is controlled from the cab via the soft-touch control panel.

During the sowing season the chaser bin is controlled from the ground via remote control. Each bin can be turned on and off individually all while standing on your drill.



## Process

The Cross Chaser Bin is now a machine that has been converted from the conventional 3 month machine to an 8 month working machine while removing the need for in field trailers or loaders.

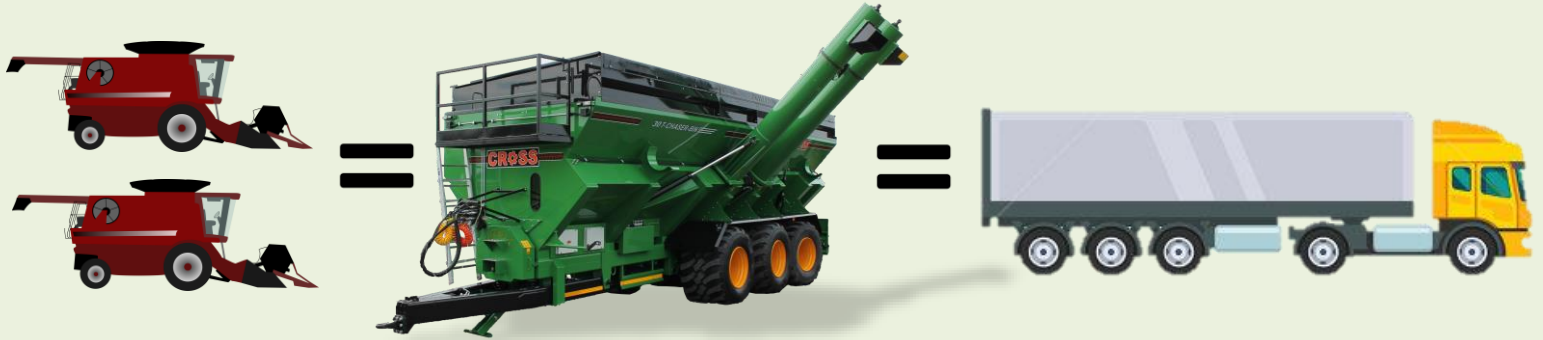


Cross Agricultural Machinery – It's the Obvious Choice

## Chaser Bin – Size System

Cross manufacture a range of chaser bin sizes but the most popular size is the bin that works on a “no-waiting system”. This system means that two tanks of the biggest combine harvester will fill the Cross Chaser Bin on the move and one tank of a Cross Chaser Bin will fill an articulated truck. This means no waiting around.

If you went for a smaller chaser bin, a 24 Tonne for example; a tank and a half of a combine will fill the chaser bin. This leaves you with a half a tank left in the combine. Then when you go to fill into the articulated truck, the 24 tonne bin will only fill ¼ of it. When you come back to top up that truck with the next chaser bin load, it will fill that truck and half fill another truck. This means you are left with half full combines, half full chaser bins and half full trucks. With the cross 30 tonne bin this doesn't happen



### Design Features

The Cross Chaser Bin has a combined capacity of 30 tonnes of grain. The compartment is split to a ratio of 45%-55% in order to allow for seed and fertilizer to be transported in the one machine to the field to fill the seed drill. For the sowing season a grain sock attachment is fitted to the spout for filling accuracy into the seed drill.

The auger spout can rotate for precision unloading.

The Cross Chaser Bin sits on 3 commercial axles, 2 of which are solid, with a rear-steering axle to reduce tyre scrub. All axles have air brakes and air suspension fitted. Cross use BKT 800/45R26.5 tyres in an effort to reduce ground pressure.

The bin is fitted with roll-over cover and a galvanised metal grid walkway so no foreign objects make their way into the augers. A ladder and viewing platform are located on the front of the bin.



## Floor Augers

The Cross Chaser Bin floor auger is fitted with a novel vertically-opening auger cover, which allows the augers to be emptied before folding the augers. The floor auger will also allow the user to vary the flow output of seed or fertilizer.

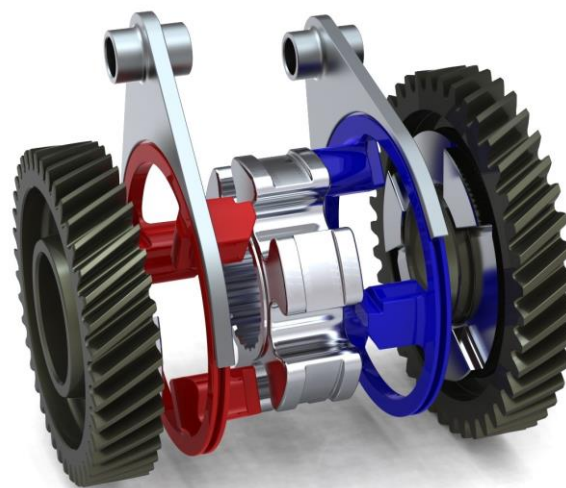
This allows for a clean sweep from the wall of the bin down into the floor auger. No bridging will occur when compartments are full of fertilizer.

Each compartment is equipped with a hydraulically-operated clean-out hatch for ease of maintenance.

## Driveline

The Cross Chaser bin uses an innovative dog clutch design. This allows each Bin compartment to be put into gear separately, one at a time or both together. This clutch system can be controlled from the seat of the tractor or via the remote control while standing on the seed drill.

The whole machine driveline is powered via wide angled PTO and a HP rating of at least 240hp is needed to drive it. The tractor can run the chaser bin in the 1000 PTO box. The chaser bin gearbox system will run the augers at 540 rpm. This in turn leaves it easier on the tractor to run and easier on the components of the machine.



## Controls

There are two control panels;

1. Mounted in the cab of the tractor controlling hydraulic and electronic functions.
2. Wireless remote also controlling selected hydraulic functions allowing the operator to control the machine when filling the drill.

The machine hydraulics are controlled using solenoids, but have a manual override so all functions can be controlled outside of the cab.

There are various work lamps on the machine.

- Internal spot lights in the compartments
- Auger spout spot lights
- Reversing spot lights
- Front and back beacons





## Discharge Augers

The Cross Chaser Bin discharge auger is fitted with a spring-loaded coupling, allowing for engagement when PTO is engaged. The joint has a rubber lip to ensure a definite seal. When the augers are folding out, the auto centering spring system will allow the couplers to line up without damaging the bearing housings.



## Camera System

The Cross Chaser Bin is fitted with an in cab camera display system. The cameras display the inside of the bin at any time. This camera system lets the driver see which compartment is being filled, how full the bin is and where to be alongside the combine harvester. The second camera is a reversing camera. This camera can also be displayed on the same screen or a separate screen if requested.

An image of the bin camera can be seen below. This shows how easy it is to keep the combine harvester centered when filling.



# Cross Chaser Bin / Drill Filler

Capacity of 46 cubic Meters



## Internal Mesh & Cross Members

The Cross Chaser Bin is fitted with an internal galvanized mesh. This mesh is used to filter out any foreign objects in the seed or fertilizer and stop them getting into the augers.

The Cross members are made from robust galvanised steel. The design of the cross members allow them to support the roll over cover as well as keeping rigidity in the top extensions when the bin is full.

## Manual Over-ride

All controls on the Cross Chaser Bin can be over-riden via the valve chest on the side of the machine. Small manual levers are fitted to the valve and work the same valves as the electric controls would. This is very useful for servicing of the machine or fault finding incase the battery goes in the remote etc.



## Air-ride System

All Cross 30 Tonne split bins come standard on air suspension. This is fitted for a few reasons:

1. No bounce in the field when rushing to the truck trailers from the combine.
2. No bounce when rushing to the combine empty
3. No leaning when travelling around corners even in uneven fields
4. No un-even distribution of weight. If one axle goes over a bump it won't take more weight than the other 2 axles. This is what happens in a leaf spring or non-sprung system. In the air system every axle and wheel gets exactly the same weight no matter what the terrain. The advantages of this are:
  - a. No over-loading tyre limits
  - b. No over-loading axle limits
  - c. No un-even loads acting on the chassis

The Chaser bin can also be fitted with an optional Hydraulic Suspension system.



Cross Agricultural Machinery – It's the Obvious Choice

## Drill Filling

The Cross Split Chaser Bin can also be used for drill filling. The split bin allows for seed and fertilizer to be delivered into the seed drill by means of a pipe.

When using the bin for drill filling it is totally remote controlled. You can turn on each bin separately all from the ground. Just leave the PTO running when you get off the tractor.

The Bin is also 100% water proof. The cover does not allow any rain to get in and the bin is completely seam welded to stop any dampness getting in. The Augers are also fitted with rain guards to stop water getting in when the augers are folded away.



## Filling Shoots

The filling shoots on the chaser bin can be made to suit your drill. As drills vary in height it is usually advised that the operator cuts the pipes to suit his/her operation.

Each shoot pipe clips off easy for transport purposes and is stored on the side of the bin.

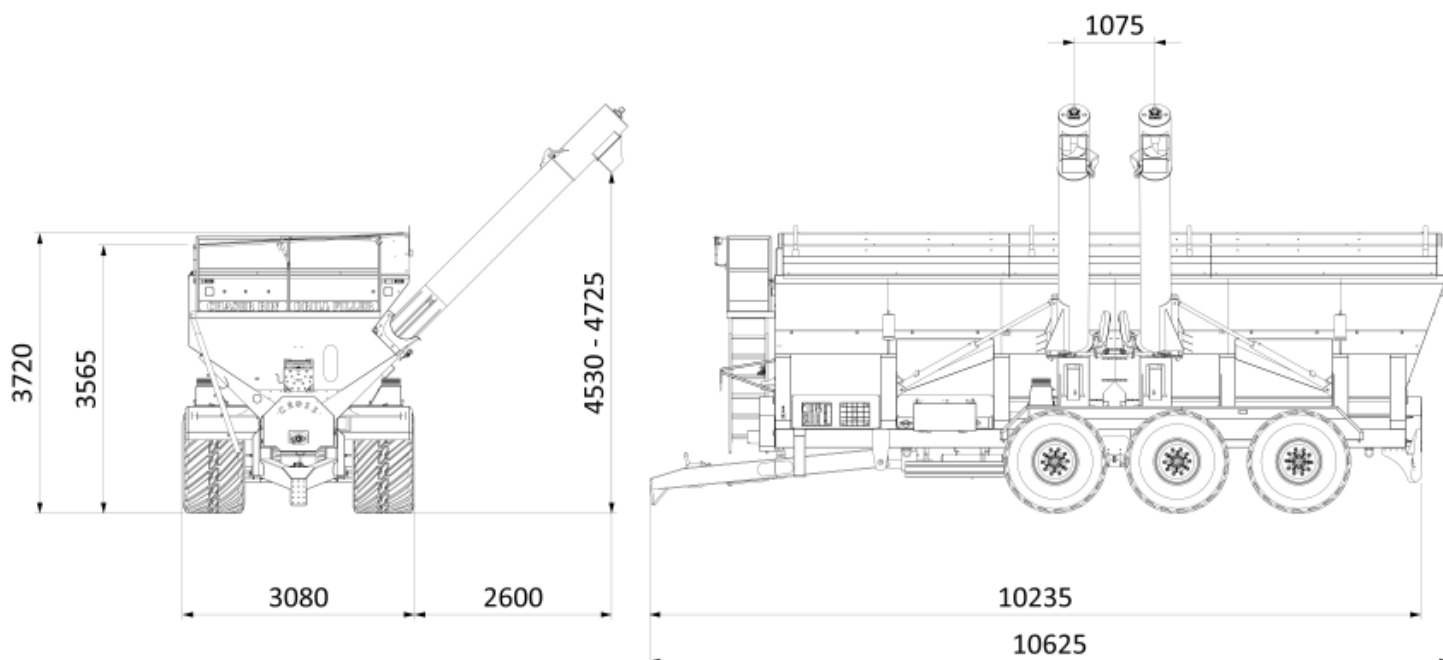




## Cross Agricultural Engineering – Chaser Bin – Specifications:

Model	Chaser Bin 40
Capacity	30 Tonnes
Unloading Height	4m
Width	3.08m
Overall Length to Hitch eye	10.95m
Bin Length	8.9m
Unladen Weight	13 Tonnes
Loaded Weight	44 Tonnes
Power Requirements	240HP
Unload Time	3.5 Minutes
Wheel Size	800/45/ R26.5
Axle Number	3
Brakes	Air (standard)

## Technical Data: Machine Selection Chart







# Cross Chaser Bin / Drill Filler

Capacity of 46 cubic Meters

## Load Cells

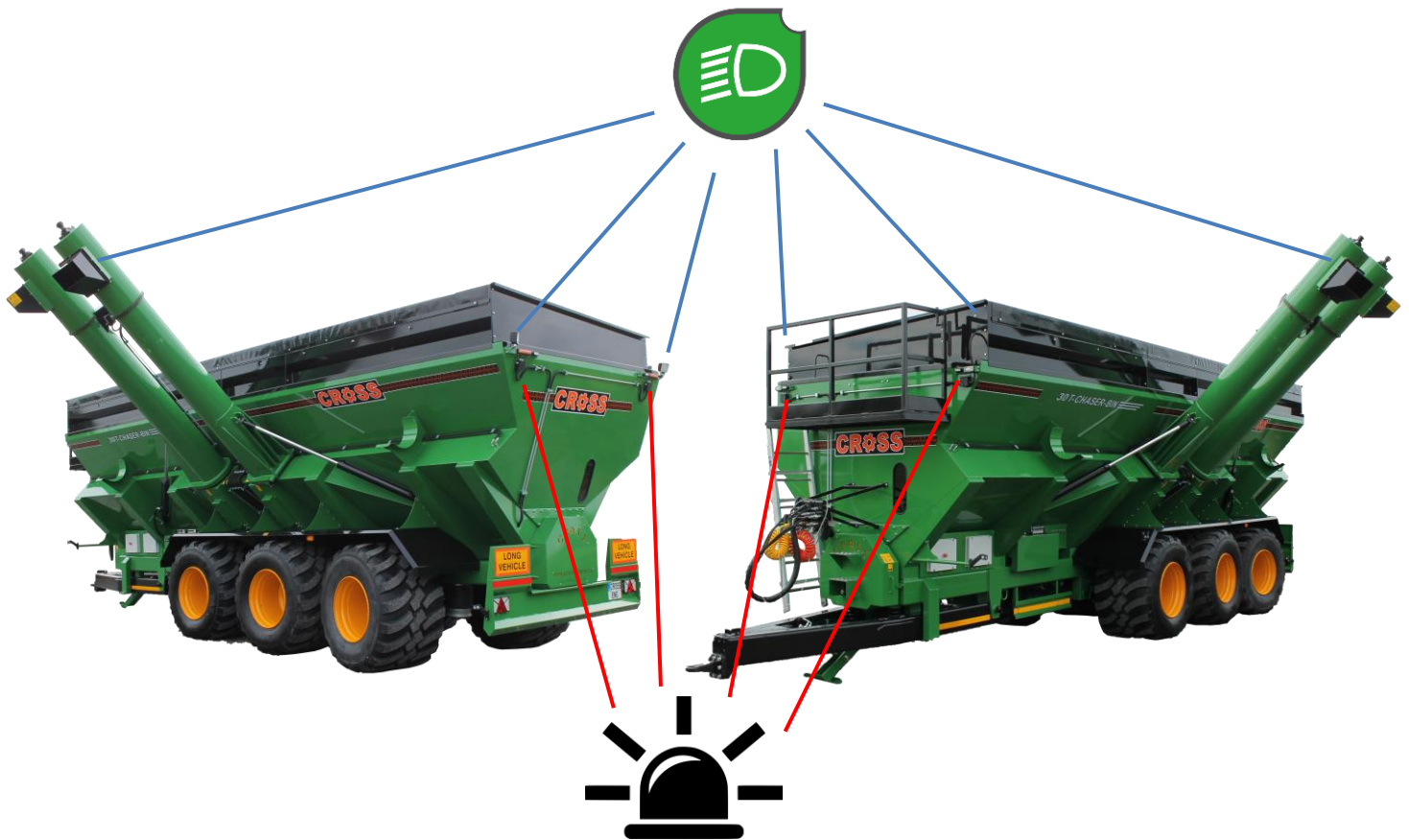
The Cross Split Chaser Bin can also be fitted with a full on board weight cell system. This system will weigh each load from the combine before being placed in the truck.

This system not only can display the weight it also can come equipped with a yield monitor. This system records the yields of each field over the period of the harvest. This info can be stored externally for years after.



## On Board Lights

The Cross Split Chaser Bin comes with work lights and beacons fitted. The work lights included are: front and back of the bin and on the Augers. The beacons are also front and back. The bin can come with extra lights at the customer's request.





## Filling Into Trucks

When filling into trucks the Cross Split Chaser Bin is capable of moving over 30 tonnes of grain in less than 3 minutes. The twin 18 inch augers allow for the huge filling capacity.

Each auger has a rotating spout which allows for over a meter throw of grain either way without having to move the bin or truck. The augers can also be fitted with cameras if requested



## Catwalk

All Cross Chaser Bins are fitted with a front cat walk and fold up ladder. This leaves it safe for an operator to roll back the cover, check the crop and look into a truck or drill if needed. The handle for rolling back the cover is also stored on the catwalk and this means that the cover can be kept taut when rolling it back from such a close position.



## Other Cross Chaser Bins

Cross Agricultural Engineering also manufacture a range of smaller and single hopper bins. These Range anywhere from 21 cubic meters up to 46 cubic meters. These bins are single auger type.

The smallest of the bins (Cross 16.5) is a single auger gravity fed bin. This means no floor augers and no corners for grain to sit. These bins have hydraulic vari-width axles to keep them stable in the field and narrow on the road. This bin comes with most of the features which are available on the large split bin such as lights electric valves and air brakes.



Cross Agricultural Machinery – It's the Obvious Choice

## Other Cross Machinery

Cross Agricultural Engineering also do a huge range of other farm machinery. With over 50 products in the Cross catalogue there are machines to suit all types of farming. These machines include: Chaser Bins, Ring Rollers, Slurry Tankers, Slurry Agitators, Post Drivers, Furrow Presses and much more.

Contact a Cross representative today for more information.



“It’s the Obvious Choice”



Cross Agricultural Engineering is the result of generations of metal working skills within the Cross family. This heritage has provided a solid foundation for the design and manufacture of quality farm machinery, with the constant help and co-operation with farmers and contractors. All Cross machines are manufactured in a purpose built facility, which utilises the latest in manufacturing technology. The company provides all of its own research and development work in-house. Following this new machines are tested rigorously to assess their reliability and

This literature is designed for worldwide circulation. Due to continuing policy of product improvement, we reserve the right to alter specifications and constructions without notice. As machines are exported to many different countries, general information, pictures and descriptions are provided; these should be taken as approximate and may include optional equipment that is not part of the standard specification. Please consult your local dealer/distributor for further information.

Cross Agricultural Engineering Ltd.,  
Newtown, Rathangan,  
Co.Kildare  
R51 WR98  
Ireland

Tel: 00353 (0) 45 524134

Fax: 00353 (0) 45 524631

Email: [info@crossagrieng.ie](mailto:info@crossagrieng.ie)

Website: [www.crossagrieng.ie](http://www.crossagrieng.ie)

